

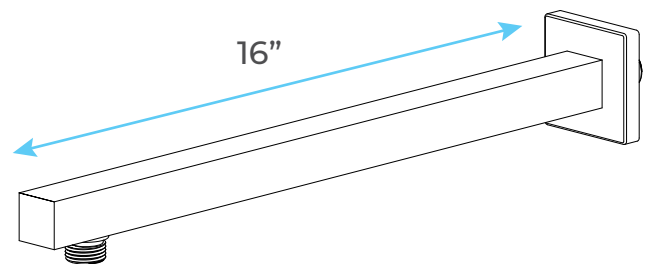
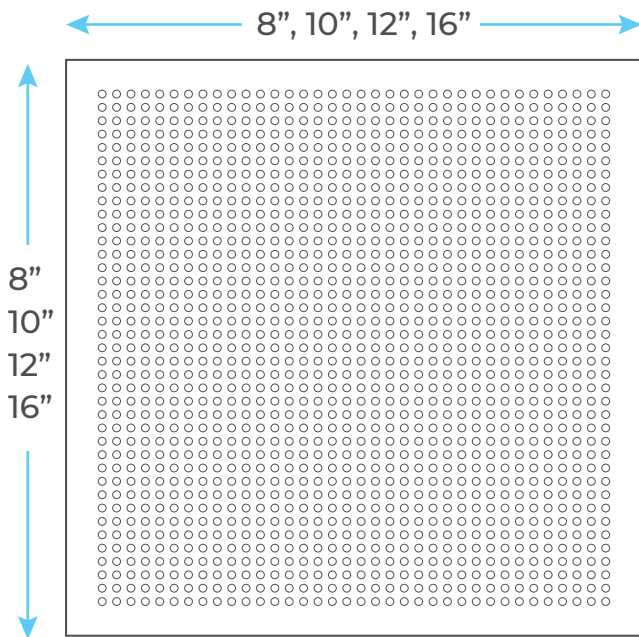
PRELUDE MASSAGE SHOWER SET SPECS



Specifications

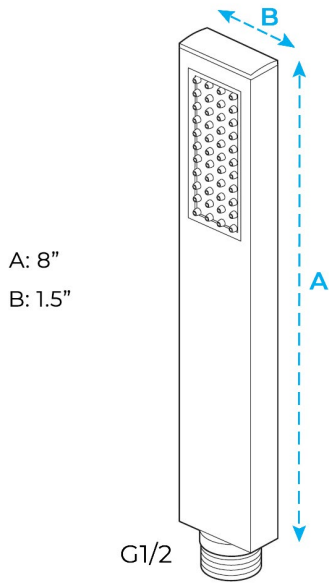
- Valve Core Material: Ceramic
- Bath & Shower Faucet Type: In-Wall Shower Faucets
- Surface Finish: Brass
- Style: Contemporary
- Number of Handle: Single Handle
- Surface Treatment: Polished
- Material: Solid Brass

Shower Head Size:



Flow Rate
2.5 GPM / 9.5 LPM (rain Shower);

Hand Shower Size:



The minimum required water pressure is 0.05 MPa (0.5 bar).
Flow rate 2.5 GPM (9.5 LPM).

Mixer Size:

